

## VN310SFHD2

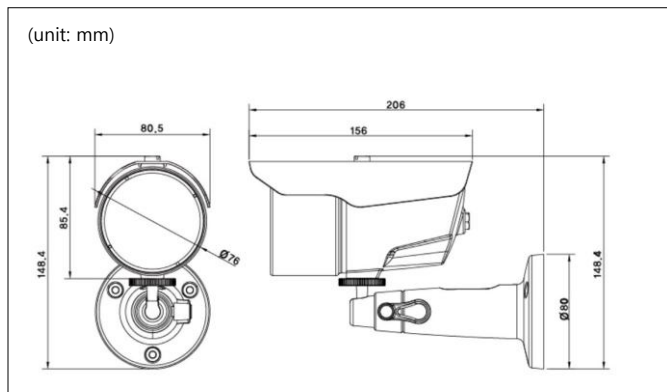
Full HD Outdoor IR Varifocal Bullet Camera



### Key Features

- \* Uncompressed high quality Full HD video with full frame rate
- \* HD video transmission up to 100M
- \* 3.5~16mm Megapixel Varifocal DC Iris lens
- \* No additional installation cost.  
(Compatible with existing coaxial cables)
- \* 1920X1080 25p/30p/50p/60p, 1280X720 50p/60p
- \* Enhanced WDR performance
- \* Quick and easy OSD control
- \* 2D/3D DNR (Digital Noise Reduction)
- \* Defog function
- \* Dynamic digital zoom and PIP
- \* Intelligent IR (PWM LED Control) or Smart IR
- \* Pelco-C support (CVBS output with optional controller)
- \* Privacy Masking (8 Polygon Area)
- \* IP67 weatherproof
- \* Protection from extreme temperature range of -10°C~+50°C - W/Additional heater (option)
- \* Supports 15 Languages
- \* 12VDC

### Dimensions



### Specifications

MODEL	VN310SFHD2
Sensor Device	Sony 1/2.8 inch 2.38MP Exmor CMOS Sensor
Total Pixels	1952(H) x 1116(V) 2.18 Megapixel
Effective Pixels	1944(H) X 1104(V) 2.14MP
Scanning System	Progressive Scan
Horizontal	More than 1100 TVL
S/N Ratio	More than 52dB
Min. Illumination	0 Lux (IR On)
Shutter Speed	1/30s Default, (Long Exposure Mode, ~1Sec)
Video Output	1920 x 1080 @25p/30P/50p/60p, 1280 x 720 @50p/60P (Mode Select)
Video Output Format	2.97G/s, 3G-SDI Output, 1Port CVBS
AV Output	1V p-p Composite, 75 Ohms
Digital Output	SDI Output
Day & Night	True Day & Night with ICR
Serial Port	Pelco-C support analog video only
Lens	3.5~16mm(Mega pixel VF Lens)
Lens Control	DC Iris
IR Distance	30m
Power Source	DC12V Only
Operating Current	240mA(IR OFF), 520mA(IR ON)
Operating Temperature	10°C ~ 50°C
Storage Temperature	-20C ~ 60C
Operating Humidity	(Humidity : 0%RH ~ 90%RH)
Measurement (mm)	80.5(W) x 148.4(H) x 206(D)
Weight ( Approx.)	700g
OSD	Video Mode / D&N / AWB / AE /Privacy Mask / Flickerless / Brightness / Sharpness / Mirror & Flip / DSS/DNR, etc.

\*specifications are subject to change without prior notice for improvement.