

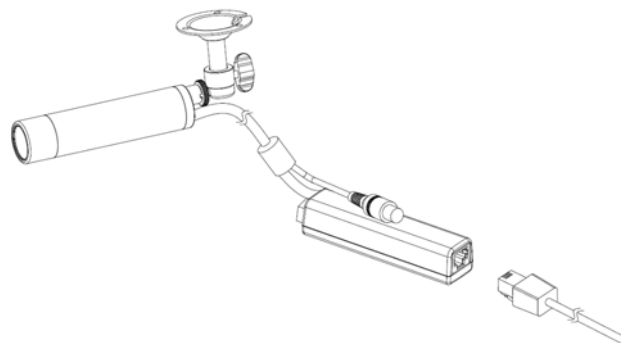
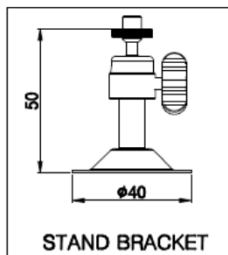
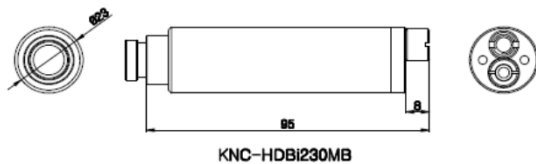
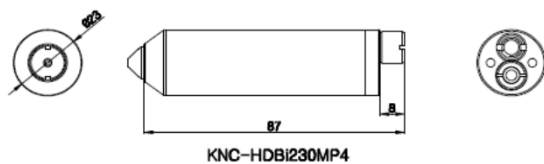
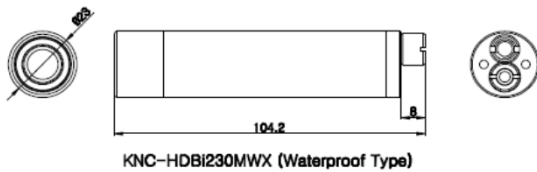
**VCL-HDi230IP-B(P4)**

**Features**

- 2.43MP, SONY Exmor CMOS
- Max 30fps at 1080p(1920\*1080)
- f=3.7mm(3MP), Mega Pixel Lens
- D-WDR/ 3D-DNR/ DSS
- Dual Streaming (H.264, MJPEG)
- Internal MIC.
- Micro SD/SDHC Card (Max 32GB)
- ONVIF Profile S Support
- DC12V/ PoE(IEEE 802.3af)



**Dimensions**



#	Type	Focal Length (f)	Angle of View (Diagonal)
1	Board	3.7B (3M)	116.3°
2	Board	4.3B (3M)	94.82°
3	Board	6.0B (3M)	63.48°
4	Pinhole	P4 4.3 (1.3M)	89.54°
5	Pinhole	P4 4.3 (3M)	89.54°

## VCL-HDi230IP-B(P4)

## Specifications of the Camera

ITEM		DESCRIPTION
Image Device		2.43 MP., 1/2.8" SONY Exmor CMOS
Lens		Board Lens : 3.7B(3M), 4.3B(3M), 6.0B(3M) Pinhole Lens : 4.3(1.3M), 4.3(3M)
Day and Night		Digital D&N
VIDEO	Video Codec	H.264 Main Profile / Motion JPEG
	Resolutions (H.264/MJPEG)	H.264: Max. 1920x1080@30fps / H.264: Min. 720x480@30fps MJPEG: Max. 1280x720@30fps / MJPEG: Min. 176x120@30fps
	Video Streaming	Dual-Stream at different frame rate and bandwidth
	Image Settings	Brightness, Contrast, Saturation, Sharpness, White balance, Exposure Control, Rotation of images, Text and image overlay, Privacy masking, BLC, D-WDR, 3D DNR, DSS(Slow shutter mode)
Micro SD	Micro SD / SDHC	Micro Card (Max 32GB)
Network	Security	Multiple user access levels with password protection IP address filtering: Deny, Allow
	Supported Protocols	IPv4, HTTP, HTTPS, TCP, RTSP, RTP, UDP, IGMP, RTCP, SMTP, FTP, ICMP, DHCP, ARP, DNS, DDNS, UPnP
System Integration	API	Onvif Profile S (Open API for software integration, including API, SDK)
	Intelligent Video	Video motion detection
	Alarm Triggers	Intelligent video, manual triggers, network fail, SD card scheduling, reboot
	Alarm Events	JPEG image upload via FTP & Email, notification via E-mail, recording AVI or JPEG using Micro-SD

ITEM		DESCRIPTION
Web Viewer		Manual trigger / Screen magnification / Full screen
Processors and Memory		CPU : ARM 1136-S / RAM : 256 MB / Flash : 256 MB
Power		PoE Class 3 (IEEE 802.3af), DC12V Max. 220mA
Interfaces		RJ-45 for Ethernet 10baseT/100baseTX with PoE 3.5mm Power Input: DC 12V CVBS (NTSC / PAL Toggle Switch), SD Card Socket
Operating Conditions		Temperature: - 10°C ~ +50°C(14°F~122°F), Humidity MAX. 80% RH(non-condensing)
Storage Conditions		Temperature: - 20°C ~ +60°C(-4°F~140°F), Humidity MAX. 90% RH(non-condensing)
Dimension		Ø23 x 104.2 (Waterproof type)
Weight		Approx. 118g (0.26 lbs)